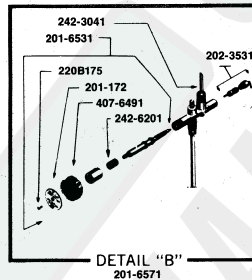
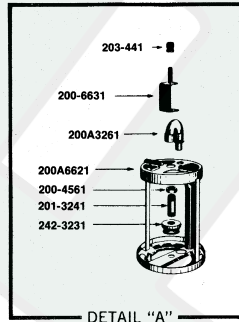
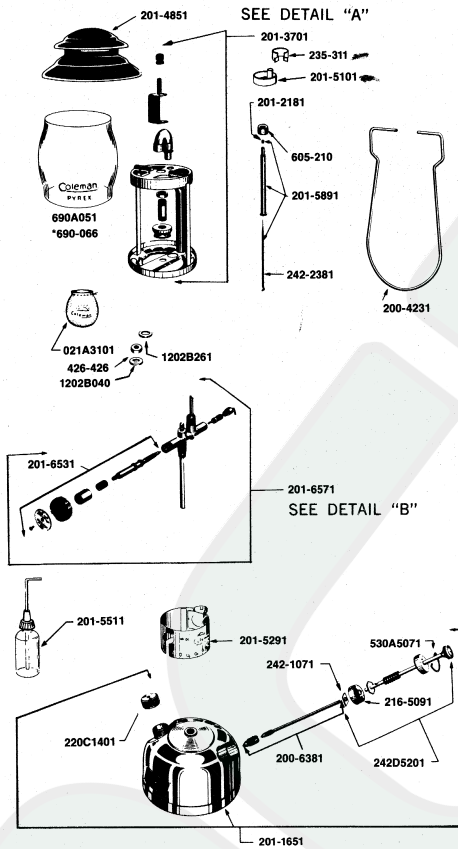


201-700

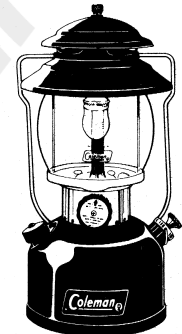
KEROSENE
SINGLE MANTLE

COLEMAN LANTERNS

LANTERNS



MODEL 201 SHOWN



Model 201

MODEL	FINISH		LANTERN HEIGHT	FUEL CAPACITY
	Fount	Ventilator (Porcelain)		
201	Green	Green (5 1/2")	11 3/8"	1 1/2 Pints

PART NO.	DESCRIPTION	USED ON	PART NO.	DESCRIPTION	USED ON
8B197	Enamel, Fount Green		203-441	Ball Nut	
21A3101	(21A) Mantle		216-5091	Pump Cup	
200-4231	Bail		220B175	Self Tapping Screw	
200-4561	Lock Nut		220C1401	Filler Cap	
200-6381	Check Valve & Stem		235-3111	Clip, Preheater Cup	
200-6631	Ventilator Bracket		242-1071	Push-on Nut	
200A3261	"U" Tube and Venturi		242-2381	Needle (Generator)	
200A6621	Burner Frame Ass'y.		242-3041	Eccentric Block	
201-1651	Fount Ass'y.		242-3231	Burner Cap & Screen	
201-172	Direction Discontinued		242-6201	Valve Stem Packing	
201-2181	Gas Tip (Marked TD)		242D5201	Pump Plunger	
201-3241	Burner Tube		407-6491	Valve Wheel	
201-4851	Ventilator		426-426	Frame Nut	
201-5101	Preheater Cup		530A5071	Pump Cap Clip	
201-5291	Base Rest		605-210	Jamb Nut	
201-5511	Alcohol Bottle		690A051	(550) Clear Pyrex Globe	
201-5891	Generator		690-066	(550A) Amber Pyrex Globe (Ass'y.)	
201-6531	Valve Stem Ass'y.		1202B040	Washer, Frame	
201-6571	Fuel Valve (Complete)		1202B261	Washer	
202-3531	Tip Cleaner Stem				