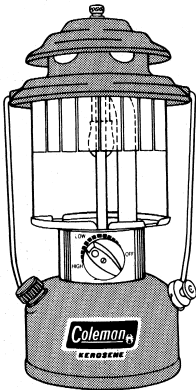


LANTERNS

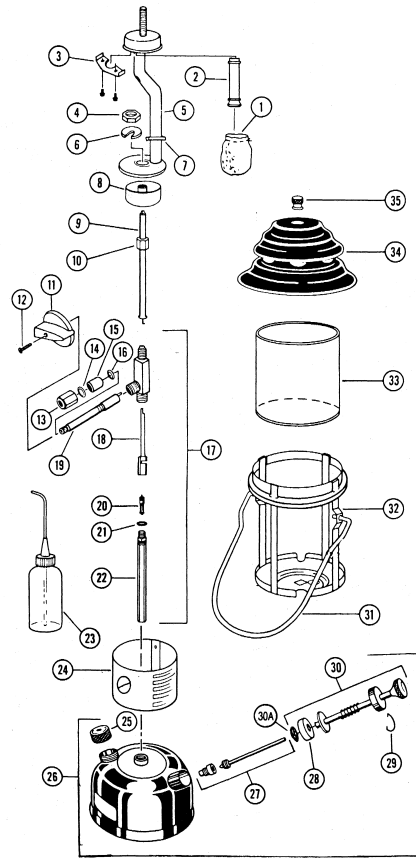
214-700

Kerosene Lantern

Discontinued Model



Model 214-700



Model 214-700

Model	Color	Diameter	Lantern Height	Fuel Capacity
214-700	Green	5 1/8"	12 1/4"	1.26 Pints

KEY PART NO. DESCRIPTION

- ① 21A1001 Mantle
- ② 290-6661 Burner Tube
- ③ 214-1341 Retainer
- ④ 288-1641 Nut
- ⑤ 214-5341 Burner Assy.
- ⑥ 288-1251 U-Clip
- ⑦ 231A3111 Spring Clip
- ⑧ 218-5101 Preheater Cup
- ⑨ 214-5891 Generator
- ⑩ 288-1621 Jamb Nut
- ⑪ 288-5491 Knob
- ⑫ 288-175 Screw
- ⑬ 242B6161 Pack Nut Not Available
- ⑭ 1202B1101 Pack Washer . . Not Available
- ⑮ 118D6201 Packing
- ⑯ 413A2131 Pack Washer . . Not Available
- ⑰ 214-5571 Valve Assy.
- ⑱ 218-3041 Eccentric Block

KEY PART NO. DESCRIPTION

- ⑲ 286A6141 Valve Stem Assy.
- ⑳ 288-3651 Valve Core
- ㉑ 288-1261 O-Ring
- ㉒ 214-5231 Feed Tube Assy.
- ㉓ 201-5511 Alcohol Bottle
- ㉔ 214-5291 Collar
- ㉕ 220C1401 Fuel Cap
- ㉖ 214-5151 Fount Assy.
- ㉗ 200-6381 Check Valve & Stem Assy.
- ㉘ 216-1091 Pump Cup
- ㉙ 530A5071 Pump Clip
- ㉚ 242D5201 Plunger Assy.
- ㉛A 242-1071 Nut
- ㉜ 288-1381 Bail
- ㉝ 286-5301 Frame Assy.
- ㉞ 214A0461 Globe
- ㉟ 288-4851 Ventilator
- ㊱ 288-4411 Ball Nut