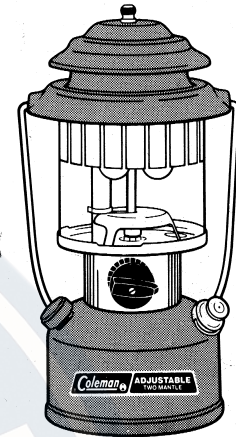
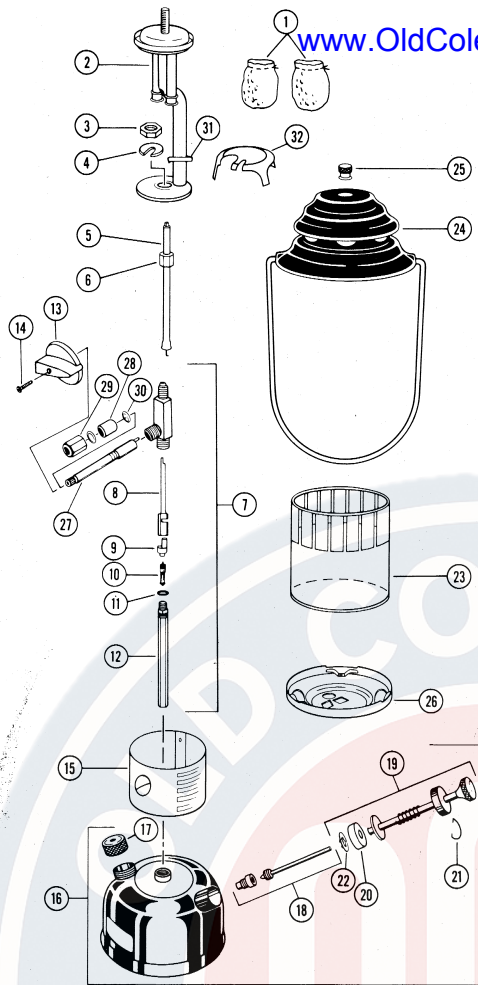


LANTERNS

288A700

Adjustable Lantern 2-mantle



Model 288A700

Model 288A700

Model	Color	Diameter	Lantern Height	Fuel Capacity
288A700	Green	5 1/8"	12 1/4"	1.26 Pints

KEY PART NO.	DESCRIPTION	KEY PART NO.	DESCRIPTION
1	21A1001 Mantle	17	220C1401 Fuel Cap
2	288B5341 Burner Assy.	18	200-6381 Check Valve Stem Assembly
3	288-1641 Nut	19	242D5201 Plunger Assembly
4	288-1251 U-Clip	20	216-1091 Pump Cup
5	288-5891 Generator	21	530A5071 Pump Clip
6	288-1621 Jamb Nut	22	242-1071 Pump Cup Retainer
7	288A6571 Valve Assy.	23	214A0461 Globe
8	288C3041 Eccentric Block	24	288-5001 Ventilator & Bail Assembly
9	288B3031 Valve Block	25	288-4411 Ball Nut
10	288-3651 Valve Core	26	288-5401 Frame Bottom
11	288-1261 O-Ring	27	288A6141 Valve Stem Assembly
12	288B5231 Feed Tube Assy.	28	118D6201 Packing
13	288-5491 Knob	29	288-6161 Pack Nut. Not Available
14	220C175 Screw	30	1202B1101 Pack Washer Not Available
15	288B5291 Collar	31	231A3111 Spring Clip
16	288-6151 Fount Assembly	32	288-1151 Heat Shield